



BF-300



Ball Fiber Machine



PRODUCT PROCESSED

Standard fiber and microfiber



MACHINE CONFIGURATION

Double rotor with dust collector and acoustic insulation coverage

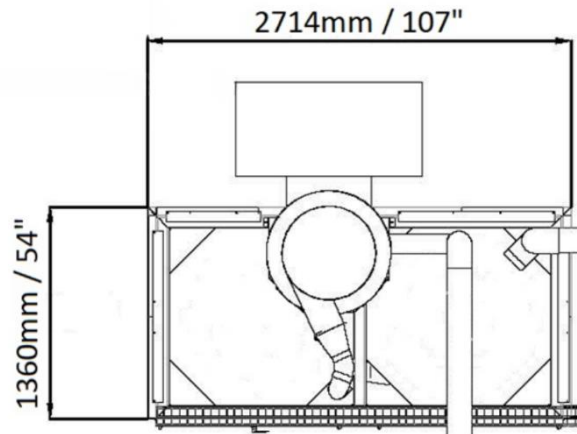
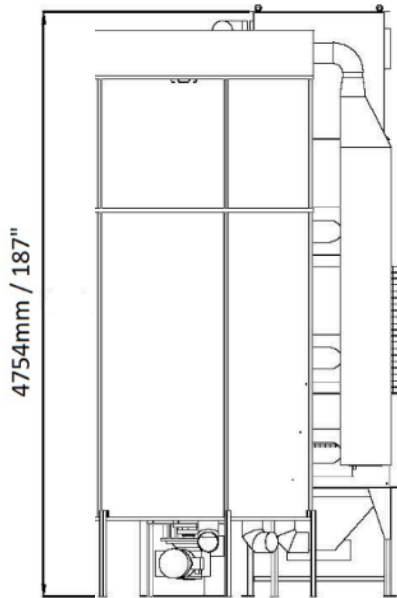


OUTPUT FEATURES

Customizable fiber ball diameter



BF-300



	W (mm/ft)	2714 / 8.9		V	400 / 480
	L (mm/ft)	1360 / 4.5		Hz	50/ 60
	H (mm/ft)	4754 / 15.6		Phases	3Ph+N+G
	Kg/lb	2490 / 5490		kW	42
				Bar/psi	6/87
				NI/cfm	9 / 0.05
				Dry Air / Not Lubricated	
COMMODITY CODE		84451100			
CE CONFORMITY		2006/42/CE, 2004/108/CE, 2006/95/CE and modifications			

To learn more about our raw material processing solutions, click [here](#)

For machine configuration, performances and prices contact us:

sales@brighigroup.com