



EB-400



Semi-Automatic Flat Packaging Machine



PRODUCT PROCESSED

Pillows, cushions, folded quilts, apparel, pet beds, small mattresses etc.



PRODUCT SIZE

From 300mm x 400mm (12" x 16") to 800mm x 1400mm (31" x 55")

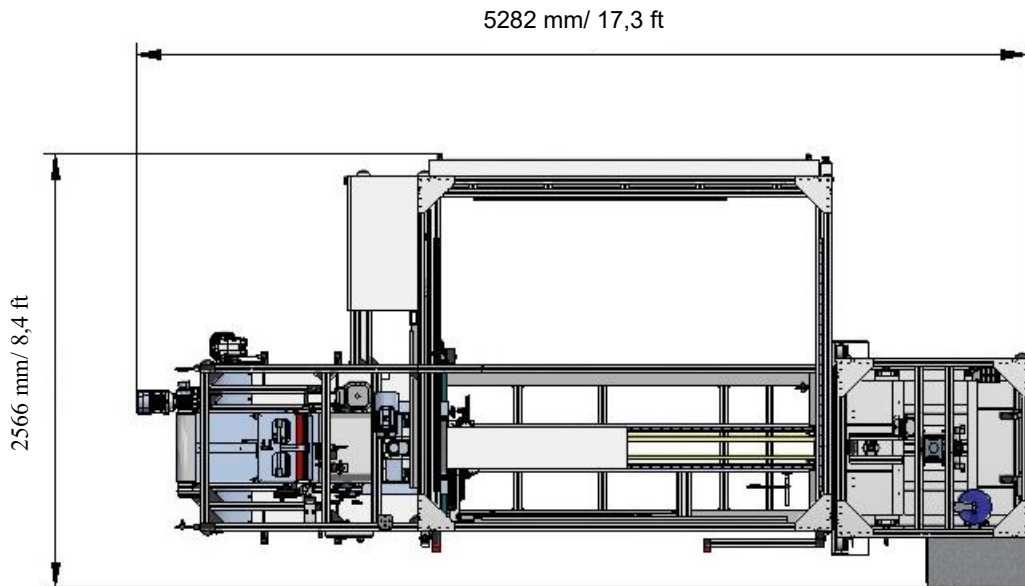
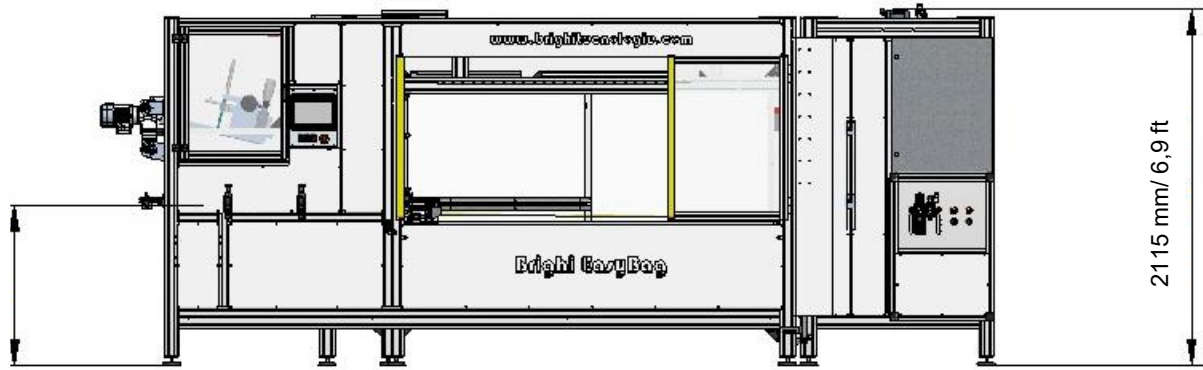





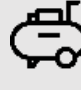
BAGS PERMITTED

Individual bags, bags with handle, bags with zipper, J-Fold



EB-400 EASY BAG



	W (mm/ft)	2566/ 8,4		V	400 / 480
	L (mm/ft)	5282/ 17,3		Hz	50/ 60
	H (mm/ft)	2145/ 7		Phases	3Ph+N+G
	Kg/lb	1940 / 4273		kW	6,5
				Bar/psi	6/87
				NI/cfm	624/3,67
				Dry Air / Not Lubricated	
COMMODITY CODE		84224000			
CE CONFORMITY		2006/42/CE, 2004/108/CE, 2006/95/CE and modifications			



FLAT PACKING

EB-500



Automatic

EB-400



Semi-automatic

HF-100 + LF-100



Manual

To learn more about our packaging solutions, click [here](#)

For machine configuration, performances and prices contact us:

sales@brighigroup.com