



EF-600



## Automatic Folding Machine



### **PRODUCT PROCESSED**

Rugs, carpets, underlays, etc.



### **PRODUCT SIZE**

Length: 1700mm to 4000mm (67" to 157");  
Width: 1300mm to 3000mm (51" to 118")

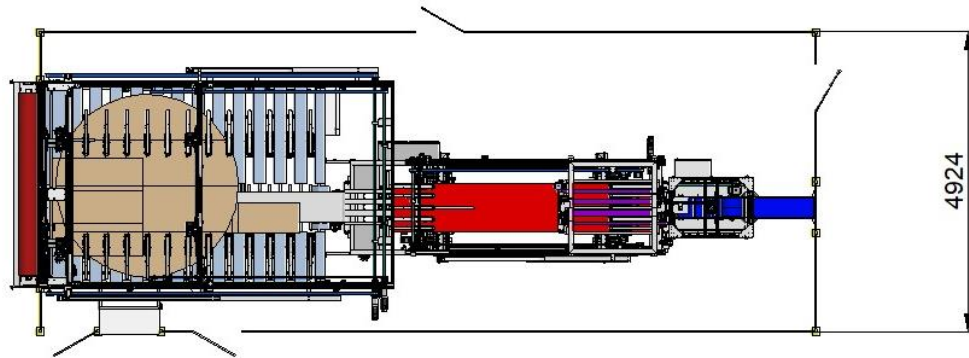
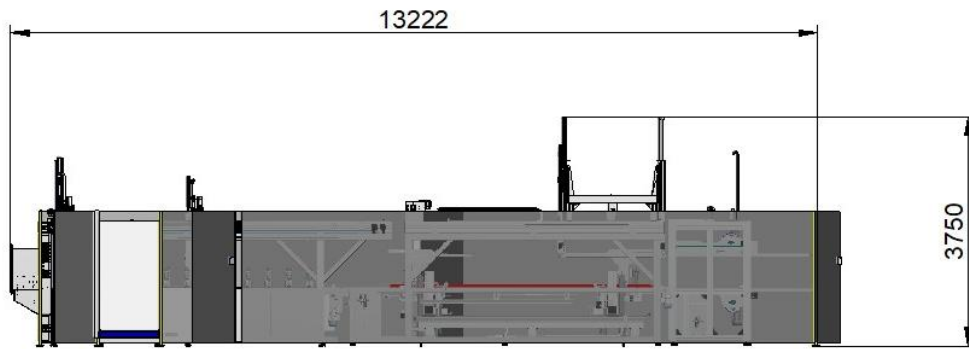






### **SHAPES PROCESSED**

Round, octagonal, oval, square, etc.



**EF-600**



	W (mm/ft)	13222 / 43,4		V	400/480
	L (mm/ft)	4924 / 16,2		Hz	50 / 60
	H (mm/ft)	3750 / 12,3		Phases	3Ph+N+G
	Kg/lb	6750 / 14880		Kw	10.5
				Bar/psi	6/87
				NI / cfm	1888 / 11.1
				Dry Air / Not Lubricated	
COMMODITY CODE		84515000			
CE CONFORMITY		2006/42/CE, 2004/108/CE, 2006/95/CE and modifications			

To learn more about our packaging solutions, click [here](#)

For machine configuration, performances and prices contact us:

[sales@brighigroup.com](mailto:sales@brighigroup.com)