



G164C



Special Sewing Machine



PRODUCT PROCESSED

Pillows, cushions, stuffed toys



SEWED MATERIALS

Cotton, microfiber, non-woven, coupled fabrics, Dacron, fiber wadding, PU foam layers

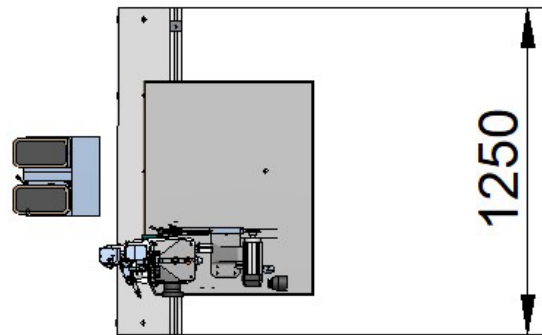
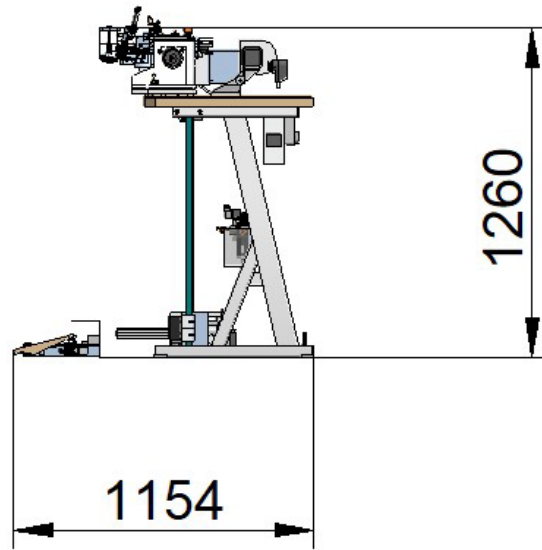


STITCH TYPE

Overlock, 1 thread



G164C



	W (mm/ft)	1154 / 3.8		V	400/480
	L (mm/ft)	1250 / 4,1		Hz	50 / 60
	H (mm/ft)	1260 / 4.1		Phases	3Ph+N+G
	Kg/lb	115/254		kW	0.8
				Bar/psi	6/87
				NI/cfm	1/0.01
				Dry air/ not lubricated	
COMMODITY CODE		84522100			
CE CONFORMITY		2006/42/CE, 2004/108/CE, 2006/95/CE and modifications			



SEWING

G164C



G164U



Manual

Manual

To learn more about our sewing solutions, click [here](#)

For machine configuration, performances and prices contact us:
sales@brighigroup.com