



HF-100



Semi-Automatic Stuffing and Packaging Machine



STUFFED PRODUCT

Foam cores, pillow inserts,
garnet batts, small
mattresses



PRODUCT SIZE

300mm to 800mm in width
(12" to 32").
No limitations in length

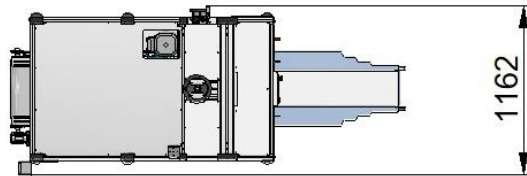
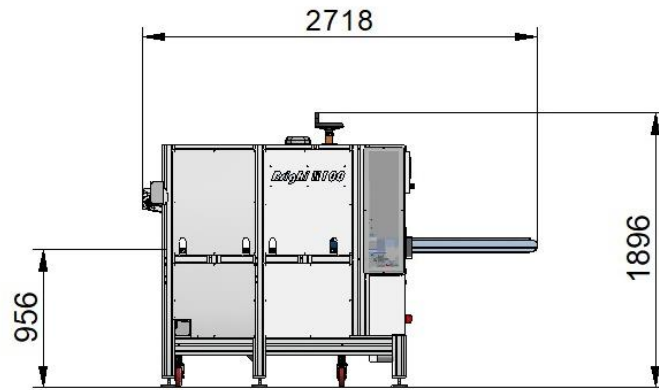


PACKAGED PRODUCT

Pillows, cushions, quilts,
sleeping bags, small
mattresses, folded quilts.



HF-100



	W (mm/ft)	1162 / 3.8		V	400 / 480
	L (mm/ft)	2718 / 8.9		Hz	50 / 60
	H (mm/ft)	1896 / 6.2		Phases	3Ph+N+G
	Kg/lb	500 / 1100		kW	4
				Bar/psi	6 / 87
				NI/cfm	143 / 0.84
				Dry Air / Not Lubricated	
COMMODITY CODE		84224000			
CE CONFORMITY		2006/42/CE, 2004/108/CE, 2006/95/CE and modifications			



FLAT PACKING

EB-500



Automatic

EB-400



Semi-automatic

HF-100 + LF-100



Manual

STUFFING

HF-100



Semi-automatic

HF-200



Chair pads



Semi-automatic

To learn more about our solutions, click [here](#)

For machine configuration, performances and prices contact us:
sales@brighigroup.com