



HF-200



Electronic Filling Machine



PRODUCT PROCESSED

IKEA mod. Justina Chair Pads – Foam Core Insert



PRODUCT SIZE

400x400mm (16" x 16") - foam core insert H 50mm (2')

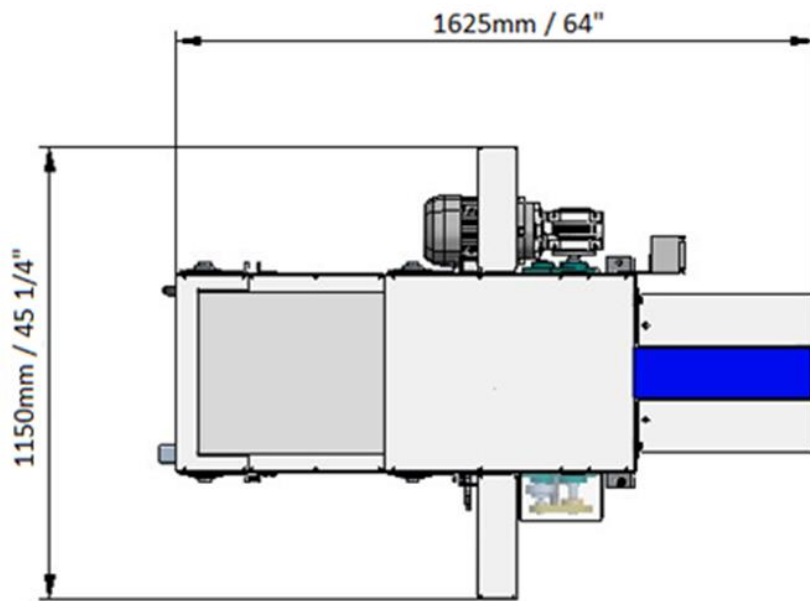
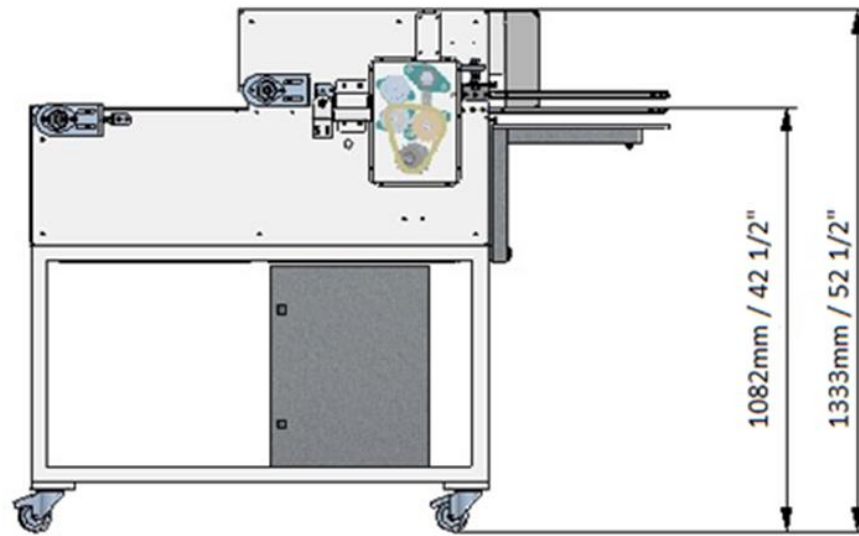


TYPE OF SHELLS

IKEA mod Justina Shells – opening 150mm (6")



HF-200



| | | | | | |
|----------------|-----------|---|--------------------------|----------|-----------|
| | W (mm/in) | 1150 / 45 1/4 | | V | 400/480 |
| | L (mm/in) | 1625 / 64 | | Hz | 50 / 60 |
| | H (mm/in) | 1333 / 52 1/2 | | Phases | 3Ph+N+G |
| | Kg/lb | 178 / 392 | | kW | 3 |
| | | | | Bar/psi | 6/87 |
| | | | | Ni / cfm | 16 / 0.09 |
| | | | Dry Air / Not Lubricated | | |
| COMMODITY CODE | | 84224000 | | | |
| CE CONFORMITY | | 2006/42/CE, 2004/108/CE, 2006/95/CE and modifications | | | |



STUFFING

HF-100



HF-200



Chair pads



Semi-automatic

Semi-automatic

To learn more about our solutions, click [here](#)

For machine configuration, performances and prices contact us:
sales@brighigroup.com