



LF-100



Semi-Automatic Compressing and Sealing Machine



PRODUCT PROCESSED

Pillows, cushions, folded quilts, apparel, small mattresses, carpets, etc.



PRODUCT SIZE

from 300x400mm (11"x16") up to 800x1400mm (32"x55")

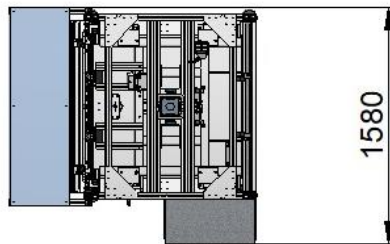
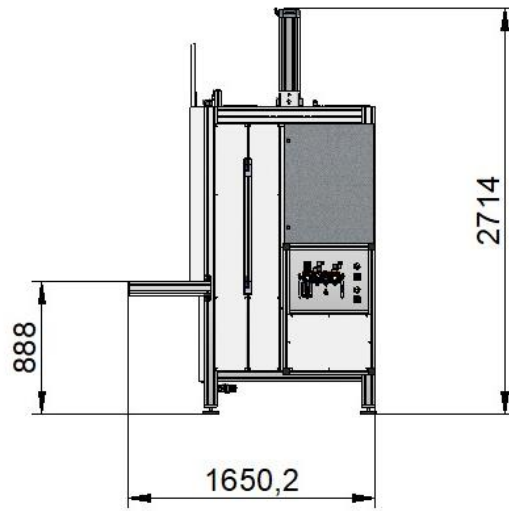


SEALING WIDTH & HEIGHT

Max sealing width 1030mm (41"), max height 500mm (20")



LF-100



	W (mm/ft)	1650 / 5.4		V	400/480
	L (mm/ft)	1580 / 5.2		Hz	50/ 60
	H (mm/ft)	2714 / 8.9		Phases	3Ph+N+G
	Kg/lb	1100/ 2445		kW	7
				Bar/psi	6/87
				NI/cfm	1767/10.4
				Dry Air / Not Lubricated	
COMMODITY CODE		84224000			
CE CONFORMITY		2006/42/CE, 2004/108/CE, 2006/95/CE and modifications			



FLAT PACKING

EB-500



Automatic

EB-400



Semi-automatic

HF-100 + LF-100



Manual

To learn more about our packaging solutions, click [here](#)

For machine configuration, performances and prices contact us:

sales@brighigroup.com