



MAC-600



Pre-weighing and Filling System



PRODUCT PROCESSED

Pillows, cushions, multi-chamber cushions, big bags



FILLING MATERIALS

Polyester fiber and microfiber, feather & down, shredded foam, wool, natural filling materials, blends

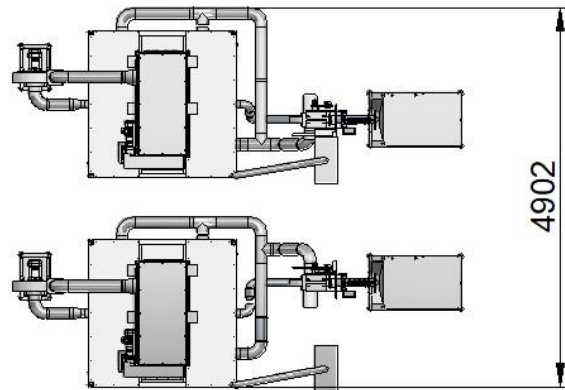
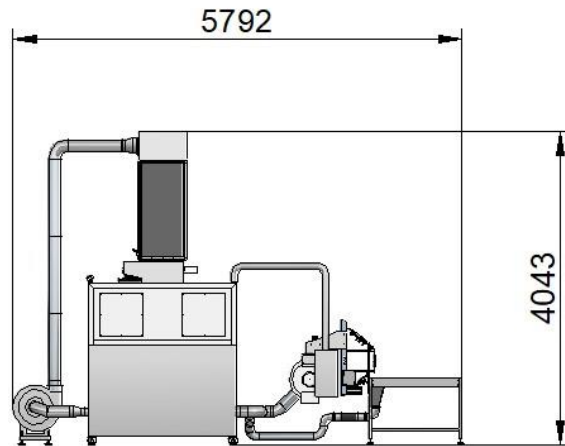


MACHINE CONFIGURATION

6 weighing units and 2 filling stations



MAC-600



	W (mm/ft)	4902 / 16		V	400 / 480
	L (mm/ft)	5792 / 19		Hz	50 / 60
	H (mm/ft)	4043 / 13.3		Phases	3Ph+G
	Kg/lb	2200 / 4840		kW	24
				Bar/psi	6 / 87
				NI/cfm	60 / 0.36
				Dry Air / Not Lubricated	
COMMODITY CODE		84522100			
CE CONFORMITY		2006/42/CE, 2004/108/CE, 2006/95/CE and modifications			



PRE-WEIGHING & FILLING

EBL-500



Filling & sewing



Automatic

MAC-600



Semi-automatic

MAC-400



Semi-automatic

MAC-300



Semi-automatic

MAC-200



Semi-automatic

To learn more about our filling solutions, click [here](#)

For machine configuration, performances and prices contact us:

sales@brighigroup.com