



MP-200



## Automatic Stacking Machine



### PRODUCT PROCESSED

Pillows, cushions, folded quilts etc.



### PRODUCT SIZE & WEIGHT

From 400mm x 400mm (16" x 16") to 650mm x 900mm (25" x 36")

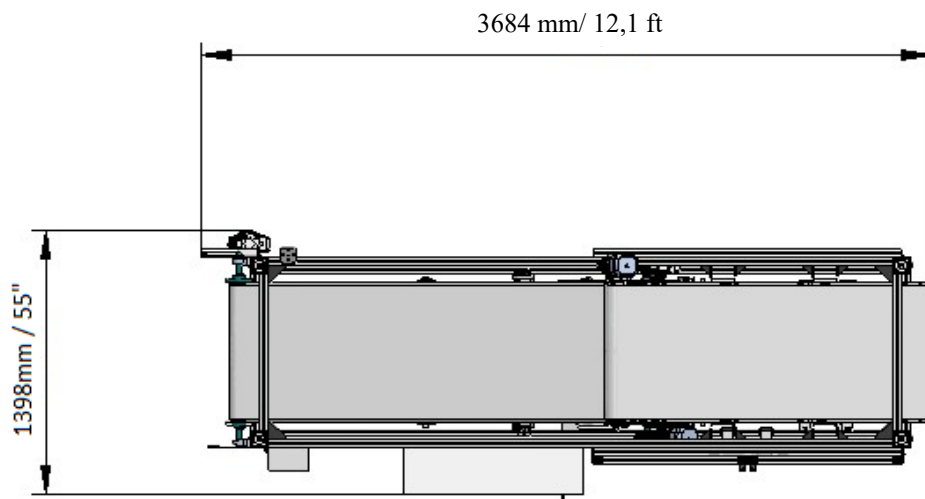
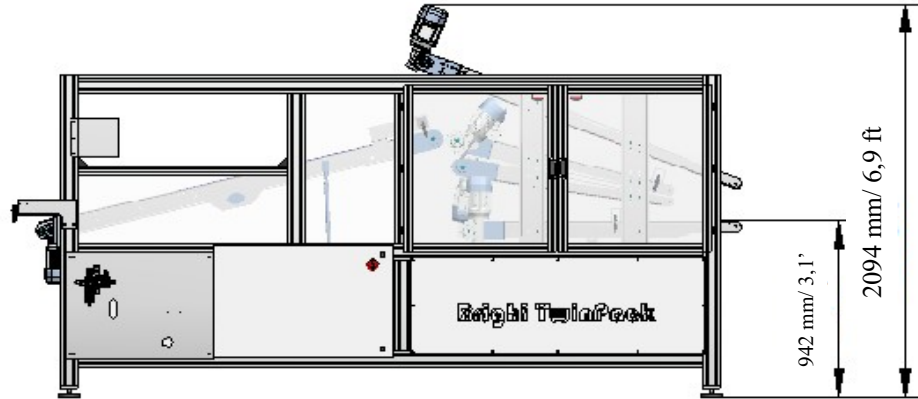


### OUTPUT FEATURES

Up to two items



# MP-200



	W (mm/ft)	1398 / 4,6		V	400 / 480
	L (mm/ft)	3684 / 12,1		Hz	50/ 60
	H (mm/ft)	2094 / 6,9		Phases	3Ph+N+G
	Kg/lb	450 / 990		kW	3.5
				Bar/psi	6/87
				NI/cfm	66/0.4
				Dry Air / Not Lubricated	
COMMODITY CODE		84795000			
CE CONFORMITY		2006/42/CE, 2004/108/CE, 2006/95/CE and modifications			



# STACKING

**MP-500**



**Automatic**  
Multipack

**MP-400**



**Semi-automatic**  
Multipack

**MP-200**



**Automatic**  
Twinpack

To learn more about our packaging solutions, click [here](#)  
For machine configuration, performances and prices contact us:  
[sales@brighigroup.com](mailto:sales@brighigroup.com)